

AKIRA

makes life better

Air Conditional Service Manual



Большая библиотека технической документации
<http://splitoff.ru/tehn-doc.html>
каталоги, инструкции, сервисные мануалы, схемы.

Model:
AC-CA50HK

CONTENTS

SPECIFICATIONS.....	4
EXPLODED VIEW & PART LIST.....	6
WIRING DIAGRAM.....	10

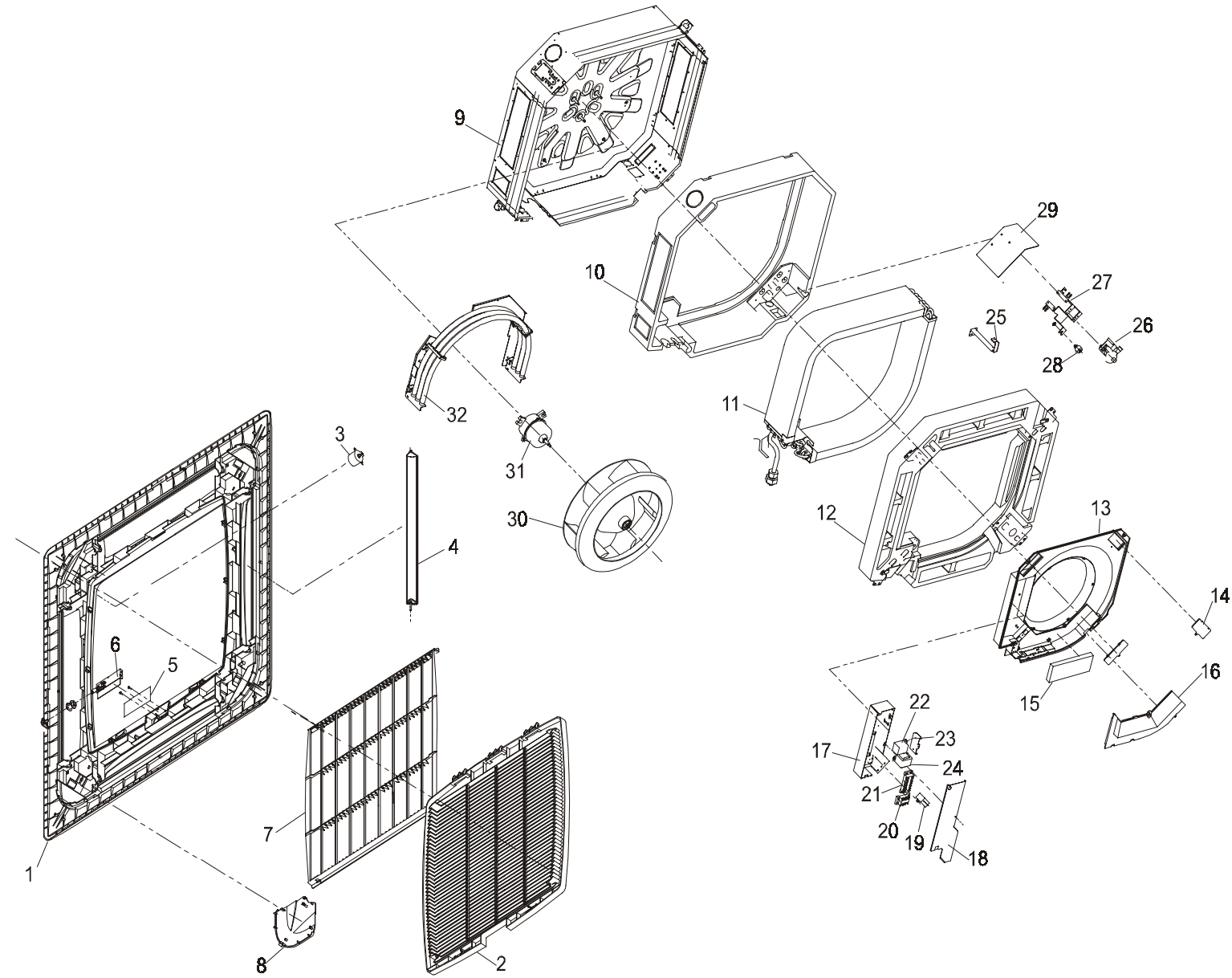
SPECIFICATION

Model No.		AC-CA50HK	
Type		Cassette,Heat Pump	
Cooling Capacity (Btu/h)		41000	
Heating Capacity (Btu/h)		44400	
Rated Input (w)	Cooling	4600	
	Heating	5100	
PTC Heater Power (W)		3000	
Moisture Removal (L/H.r)		5.0	
Air Circulation (CMH Max)		1600	
EER for Cooling (Btu/h.w)		8.9	
COP for Heating (w/w)		2.6	
Refrigerant		R22 (4000g)	
Power Supply			
Volt/Phase/Hz		380V~/3P/50Hz	
Rated Current (A)	Cooling	9.0	
	Heating	10.0	
	PTC Heater	4.6	
LRA		53	
Noise Level (dB (A))	Indoor Unit	High	52
		Low	45
	Outdoor Unit		63
Compressor type			Scroll
Compressor Model No.		ZR57KC-TFD	
Compressor MFG		Copeland	
Expansion Device		Capillary	
Evaporator		Copper and Aluminum Fin	
Condenser		Copper and Aluminum Fin	
Features			
LCD Wireless Remote Controller		Yes	
Removable and Washable Panel		Yes	
Washable Filter		Yes	
24 Hours Timer		Yes	
3 Speed Control		Yes	

Model No.		AC-CA50HK
Auto Swing		Yes
Sleep Operation		Yes
Smart Function ("I Feel" Mode)		Yes
Auto Restart		Optional
Water Discharge Indication		Yes
PTC Heater		Yes
Other		
Net Dimensions WxHxD (mm)	Panel	950x40x950
	Indoor Unit	840x320x840
	Outdoor Unit	940x1243x440
Net Weight (Kg)	Indoor Unit	46
	Outdoor Unit	114
Packing Dimensions WxHxD (mm)	Panel	1030x130x1044
	Indoor Unit	960x 450x974
	Outdoor Unit	1130x1360x530
Gross Weight (Kg)	Indoor Unit	53
	Outdoor Unit	127
Loading Capacity (40 ⁷ /40 ⁷ HC)		46/50

EXPLODED VIEW AND PART LIST

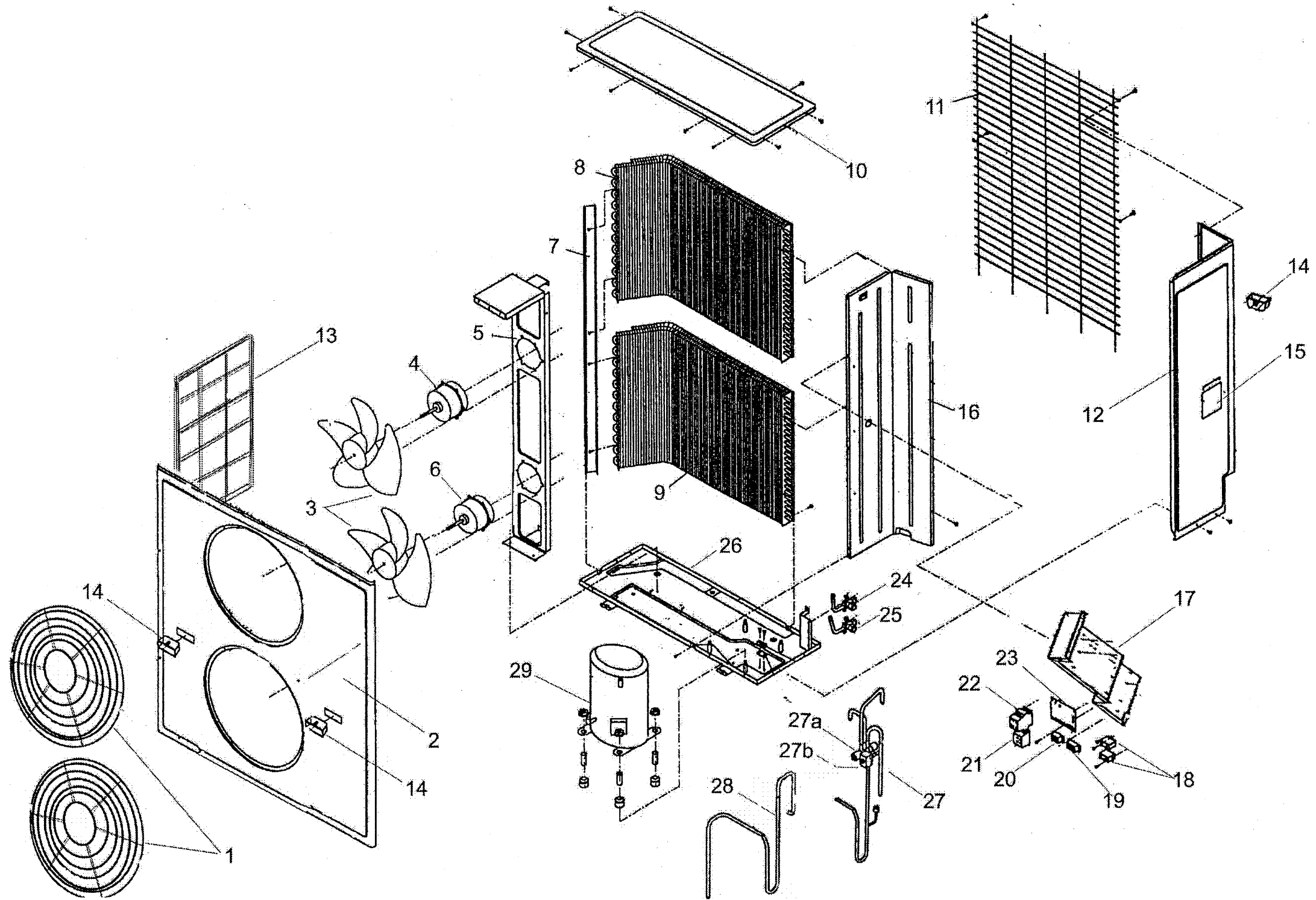
INDOOR UNIT



INDOOR UNIT

No.	Description	Part No.	Qty
1	Front Cover Assembly	8100644	1
2	Air Inlet Grille	1201185	1
3	Swing Motor	1402197	4
4	Louver	1201187	4
5	Display PCB	1905521	1
6	Display PCB Cover	2109225	1
7	Air Filter	130676	1
8	Corner Cover plate	1105323	4
9	Cabinet Assembly	10012335	1
10	Up Air Flow Volute	1007128	1
11	Evaporator Assembly	1301271	1
12	Drain Pan	210675	1
13	Air Deflector	1201351	1
14	Access Cover	1209159	2
15	Control PCB Assembly	1409473	1
16	Control Box Cover	2109153	1
17	Electrical Box	1005188	1
18	Electrical Box Cover	2109158	1
19	Fan Capacitor	14111545	1
20	Terminal 7P2	1502103	1
21	Terminal 4P	150247(A)	1
22	Contactora	14113051	1
23	Contactora Fixing Panel	1109198	1
24	Transformer	1411647	1
25	Evaporator Support	1102218	2
26	Water Pump	1402204	1
27	Water Pump Support	1102164	1
28	Water Level Switch(Low)	141046	1
28a	Water Level Switch 1(high)	814101	1
29	Baffle Plate	1203256	1
30	Indoor Fan	1402361	1
31	Indoor Fan Motor	1402360	1
32	Electric Heater	140487	1
33	Remote Controller	1401387	1

OUTDOOR UNIT

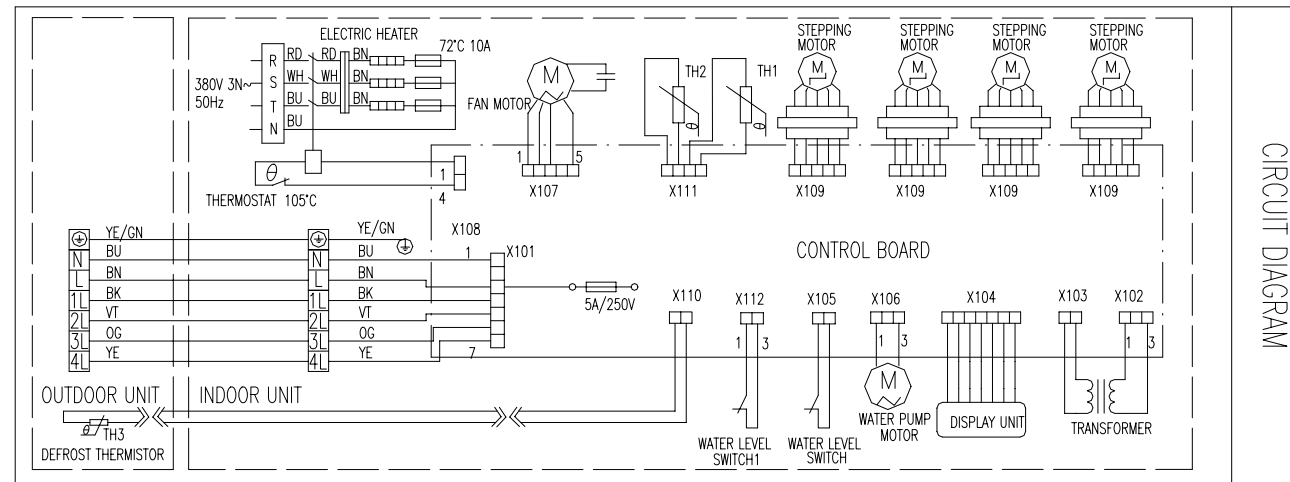


OUTDOOR UNIT

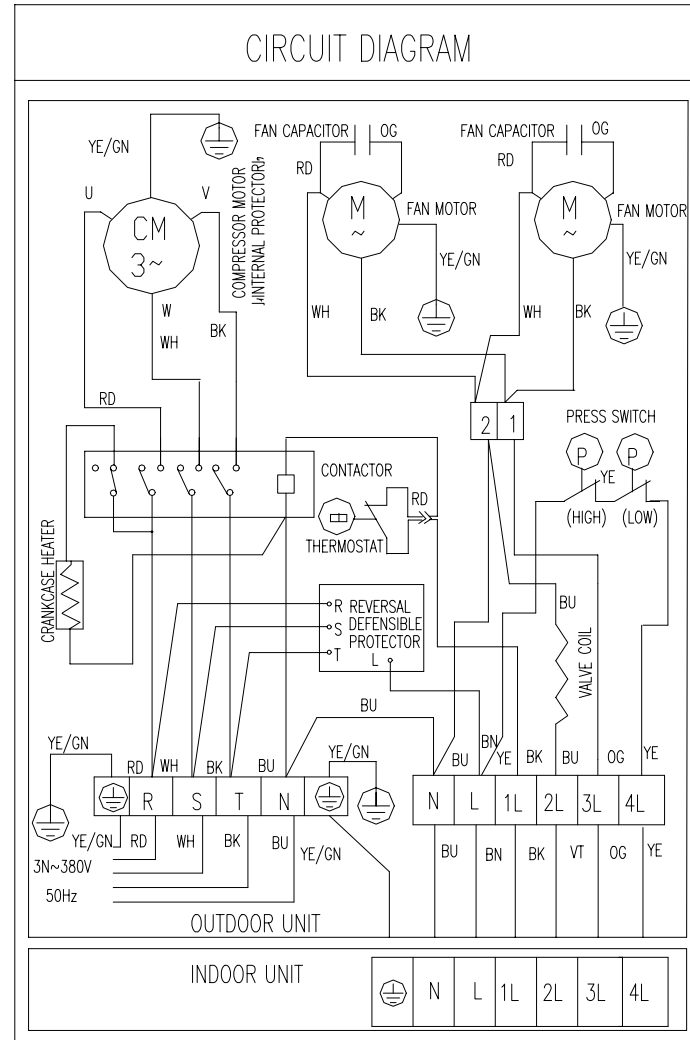
No.	Description	Part No.	Qty
1	Fan Cover	21093069	2
2	Front Cover	8101311	1
3	Outdoor Fan	14023031	2
4	Outdoor Fan Motor (up)	14023007	1
5	Motor Bracket	11023009	1
6	Outdoor Fan Motor (down)	14023007	1
7	Left Baffle, Condenser	10083005	1
8	Condenser Assembly (Up)	1302181	1
9	Condenser Assembly (Down)	1302368	1
10	Top Cover	21093045	1
11	Rear Cover	21093048	1
12	Right Cover	21093047	1
13	Left Cover	21093049	1
14	Handle	2103063	2
15	Wiring Terminal Cover	2109234	1
16	Clapboard	12033047	1
17	Electrical Box	10053006	1
18	Fan Motor Capacitor	14113057	2
19	Terminal 6P1	150257(A)	1
20	Terminal 2U	150217	1
21	Terminal 6P5	150292	1
22	Ac Contactor	1411865	1
23	Power Phase Order Board	14093015	1
24	2-Way Valve	8130912	1
25	3-Way Valve	9130911	1
26	Base Plate	100278	1
27	Reversing Valve Assembly	1411904	1
27a	Reversing Valve	1511151	1
27b	Reversing Valve Coil	14113019	1
28	Suction Pipe	13131537	1
29	Compressor	1304219	1

WIRING DIAGRAM

Indoor unit



Outdoor unit





Большая библиотека технической документации
<http://splitoff.ru/tehn-doc.html>
каталоги, инструкции, сервисные мануалы, схемы.